



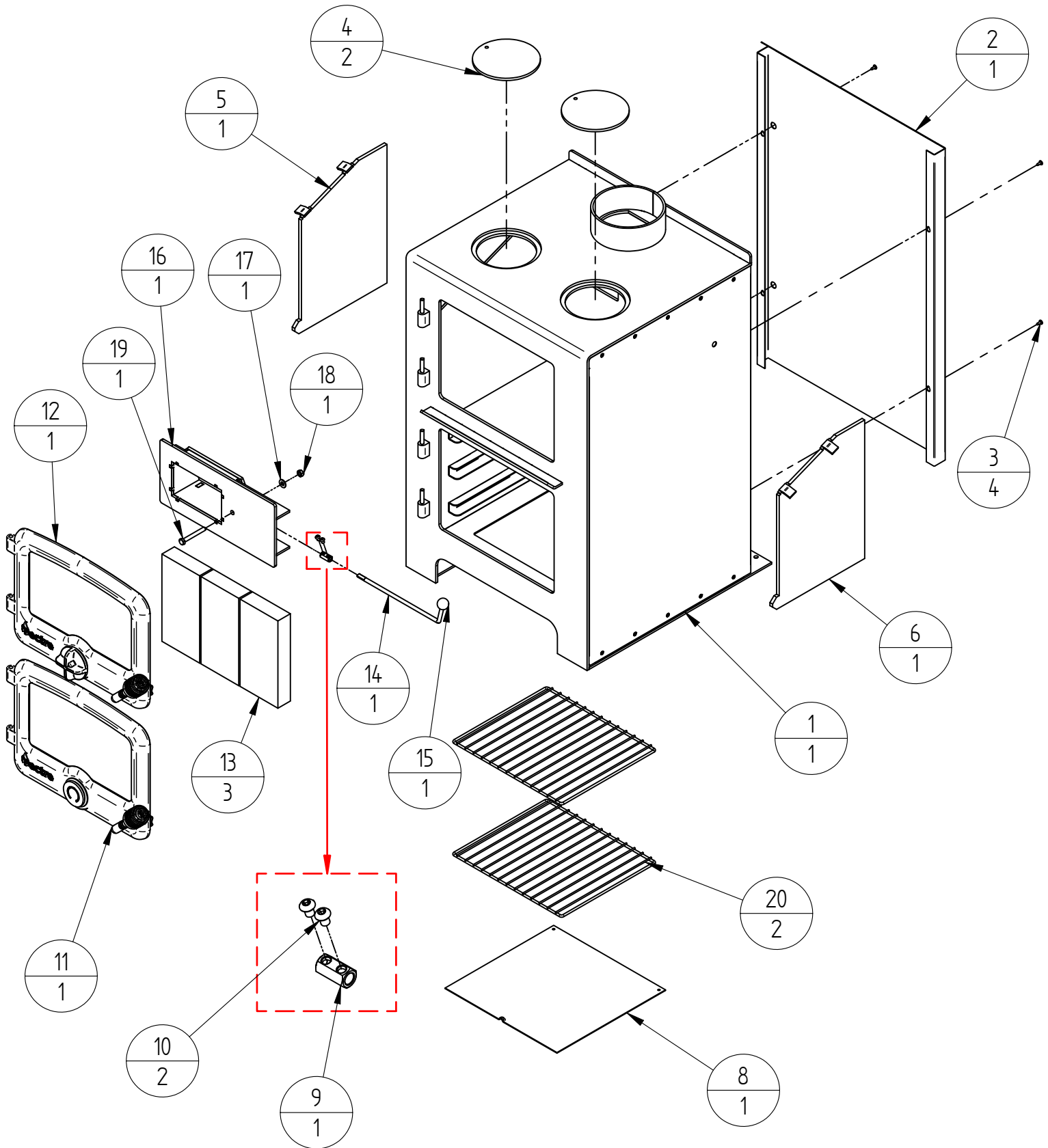
## FREESTANDING WOOD FIRE

### BAKERS OVEN

DESCRIPTIONS	ITEM NO.	MARKET	FUEL TYPE	FINISH	YEAR	FAN
FREESTANDING WOOD FIRE OVEN	970911	NEW ZEALAND / USA AUSTRALIA / CANADA	SOFTWOOD OR HARDWOOD	Metallic Black VHT Paint	MAY - 2019	NO



# OVEN, DOORS, DAMPER, BRICKS

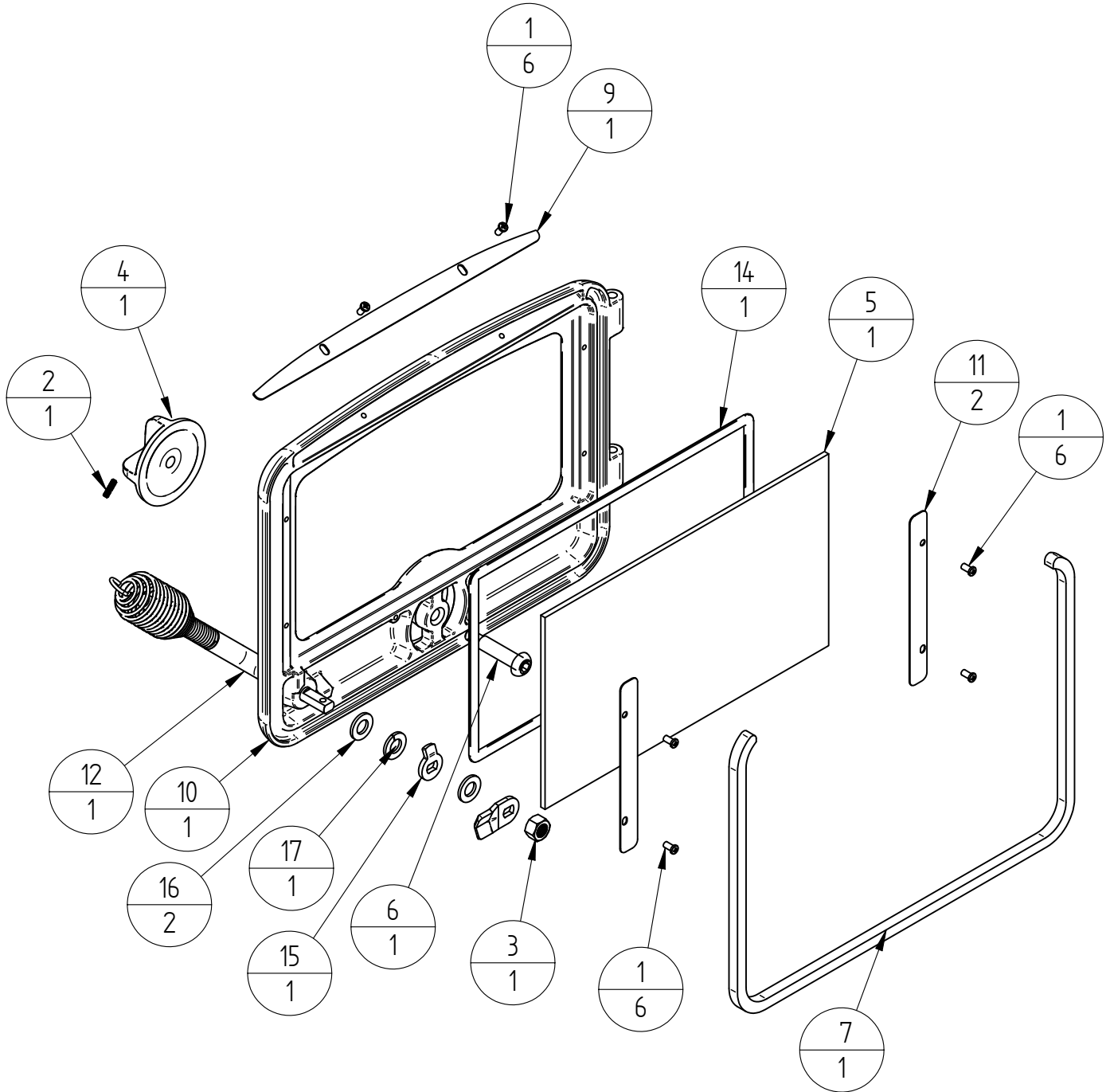


When ordering PLEASE QUOTE PART ID along with Finish Suffix (if applicable)

OVEN, DOORS, DAMPER, BRICKS				
Item	Part ID	Model	Description	Qty
		BAKERS OVEN		
1	970101	-	BO FIREBOX COMPLETE	1
2	970160 *	-	BO REAR PANEL	1
3	521645	-	SCREW; S/T 8GX1/2" MUSH FLANGE POZI BLK	4
4	970159 *	V02	BO HOT PLATE	2
5	970108 *	V02	BO F/BOX SIDE SHIELD LH	1
6	970109 *	V02	BO F/BOX SIDE SHIELD RH	1
7	570129	-	BAKERS OVEN WIRE TRAY	2
8	970175 *	V02	BO F/BOX BOTTOM DIVIDER COVER	1
9	570120	-	NECTRE BO HEX COUPLER	1
10	521808	-	SCREW; CAP M6X8 BUTTON ALLEN ST	2
11	970103	-	NECTRE BO BOTTOM DOOR ASSEMBLY	1
12	970102	-	NECTRE BO TOP DOOR ASSEMBLY	1
13	570036 *	-	NECTRE FIRE BRICK 35% - 230 x 115 x 38	3
14	570119	-	NECTRE OVEN DAMPER HANDLE	1
15	570118	-	NECTRE OVEN DAMPER HANDLE KNOB	1
16	970106	V02	BO DAMPER ASSY COMPLETE	1
17	523108	-	WASHER; SPRING M8 SS304	1
18	522707	-	NUT; HEX STD M8 STAINLESS T304	1
19	520014	-	BOLT; M8X65 HEX ST/ST T304 DIN931	1
20	570129 *	-	BAKERS OVEN WIRE TRAY	2

\* - SEE PAGE 8 FOR SPARE PART KIT IDS

# TOP DOOR ASSEMBLY (970102)

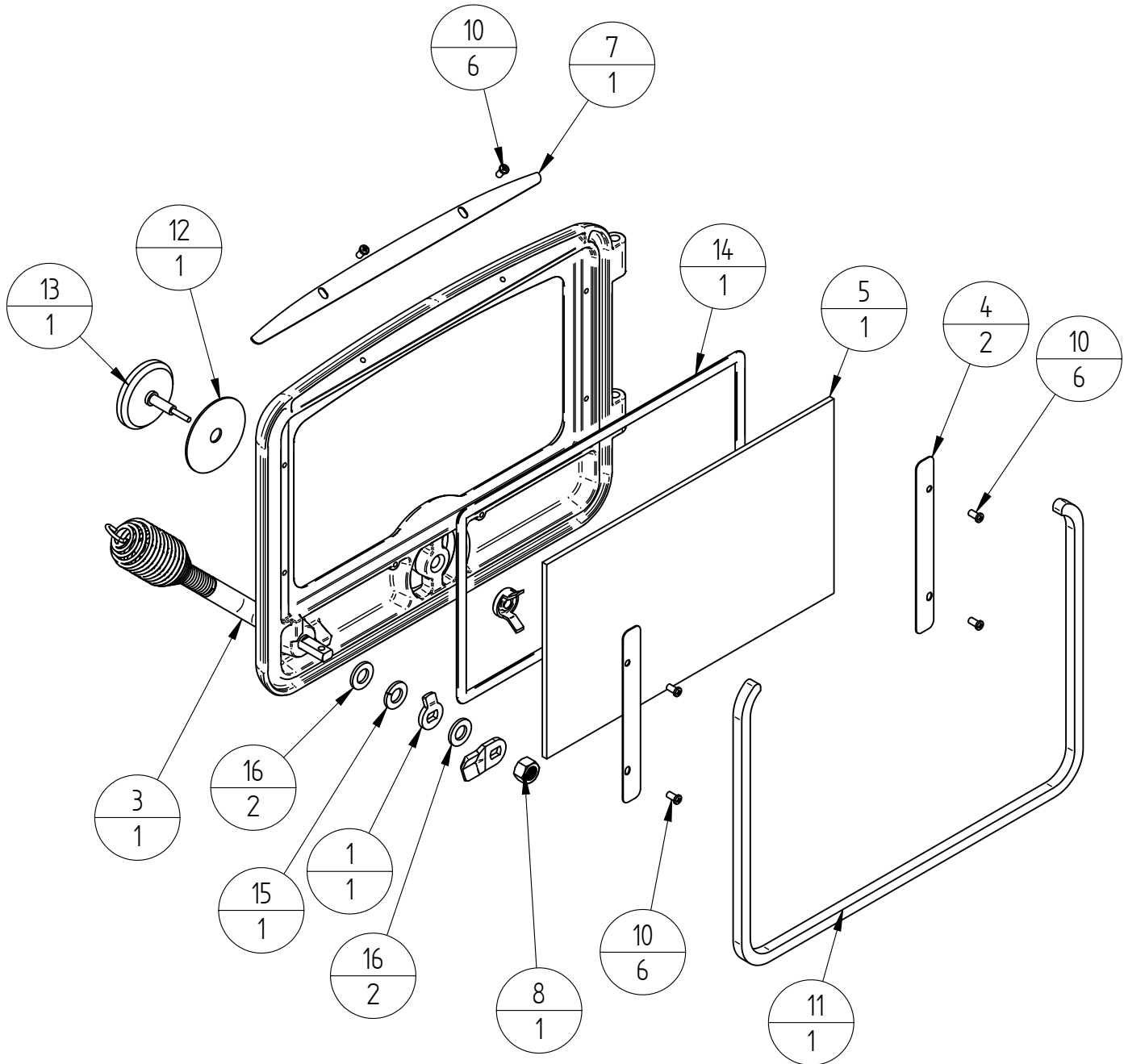


When ordering PLEASE QUOTE PART ID along with Finish Suffix (if applicable)

TOP DOOR ASSEMBLY (970102)				
Item	Part ID	Model	Description	Qty
		BAKERS OVEN		
1	521807	-	SCREW; S/T M5X10 POZI PAN BLK	6
2	521715	-	SCREW; GRUB M4X16 ALLEN BLK	1
3	522706	-	NUT; HEX STD M12 STAINLESS T316	1
4	570024	-	N15 DOOR SMALL SPINDLE	1
5	570030 *	-	N15SW DOOR GLASS	1
6	570126	-	BO DOOR SPINDLE THREAD	1
7	C13MMDR *	-	DOOR ROPE 13MM X 50m PG117 (MTR)	935MM
8	970072	-	N15SW DOOR LATCH	1
9	970075	-	N15SW DOOR SMALL AIR STRIP	1
10	570023	-	N15 DOOR SMALL CASTING	1
11	970070	-	N05SW DOOR GLASS RETAINER	2
12	570031	-	N15 DOOR HANDLE ROD	1
13	570025	-	NECTRE DOOR HANDLE N15	1
14	C10MMGT *	-	GLASS FIBRE TAPE 10X3X50M ROLL (MTR)	1050MM
15	970071	-	N15SW DOOR LATCH STOP	1
16	523043	-	WASHER; HEAVY DUTY M12X24X2.5 SS304	2
17	523109	-	WASHER; SPRING M12 SS304	1

\* - SEE PAGE 8 FOR SPARE PART KIT IDS

# BOTTOM DOOR ASSEMBLY (970103)

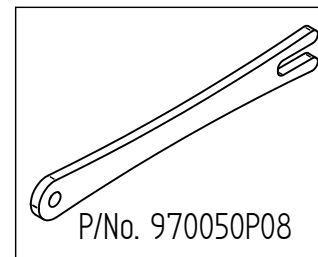
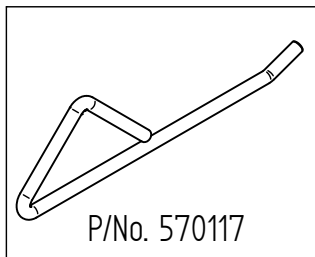


When ordering PLEASE QUOTE PART ID along with Finish Suffix (if applicable)

BOTOM DOOR ASSEMBLY (970103)				
Item	Part ID	Model	Description	Qty
		BAKERS OVEN		
1	970071	-	N15SW DOOR LATCH STOP	1
2	970072	-	N15SW DOOR LATCH	1
3	570031	-	N15 DOOR HANDLE ROD	1
4	970070	-	N05SW DOOR GLASS RETAINER	2
5	570030	-	N15SW DOOR GLASS	1
6	570023	-	N15 DOOR SMALL CASTING	1
7	970075	-	N15SW DOOR SMALL AIR STRIP	1
8	522706	-	HX HD NUT M12 SS	1
9	570025	-	NECTRE DOOR HANDLE N15	1
10	521807	-	SCREW; S/T M5X10 POZI PAN BLK	6
11	C13MMDR	-	DOOR ROPE 13MM X 50m PG117 (MTR)	935MM
12	970181	V02	NECTRE TEMP GAUGE WASHER	1
13	570131 *	-	NECTRE TEMPERATURE DIAL GAUGE	1
14	C10MMGT	-	GLASS FIBRE TAPE 10X3X50M ROLL (MTR)	1050MM
15	523109	-	WASHER; SPRING M12 SS304	1
16	523043	-	WASHER; HEAVY DUTY M12X24X2.5 SS304	2

\* - SEE PAGE 8 FOR SPARE PART KIT IDS

NOT ILLUSTRATED				
Item	Part ID	Model	Descriptions	Qty
		970911		
1	570113	-	BO/BBO DAMPER INSTALL INSTRUCTIONS	1
2	570115-ENGLISH	-	BO INSTALLATION & OPERATIONS MANUAL ENGLISH	1
3	570115-FRENCH	-	BO INSTALLATION & OPERATIONS MANUAL FRENCH	1
4	570115-NZ-AUS	-	BO INSTALLATION & OPERATIONS MANUAL NZ/AUS	1
5	570117	-	BO/BBO HOT PLATE LIFTING TOOL	1
6	591315	-	KEY ALLAN 2.0MM S/S	1
7	591318	-	KEY ALLAN 4MM S/S	1
8	970050P08	-	N15SW SEC AIR KNOB KEY BLK MANNEX X5	1



SURFACE FINISH CODES FOR PANELS				
VHT PAINT(Very High Temp)			POWDER COAT	
V02	P-000022	METALLIC BLACK	P02	MATT BLACK
			P08	MANNEX BLACK

N350 – BAKERS OVEN SPARES	
PART ID	PART DESCRIPTION
770036	N350 – BO REAR BRICKS x 3
770030	N350 – BO DOOR GLASS +TAPE+RETAINER
770194	N350 – BO SPARE DOOR ROPE C13MMDR
770195	N350 – BO SPARE GLASS TAPE C10MMGT
770129	N350 – BO OVEN RACKS (2)
770196	N350 – BO FIREBOX SIDE SHIELDS (2)
770159	N350 – BO HOT PLATE LID (2)
770175	N350 – BO OVEN BOTTOM COVER PAINTED
770160	N350 – SPARE BO REAR PANEL PAINTED
770131	NECTRE THERMOMETER WITH WASHERS

When ordering PLEASE QUOTE PART ID along with Finish Suffix (if applicable)